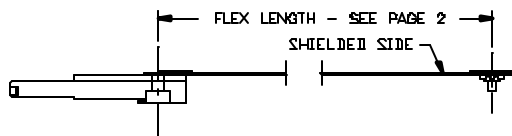
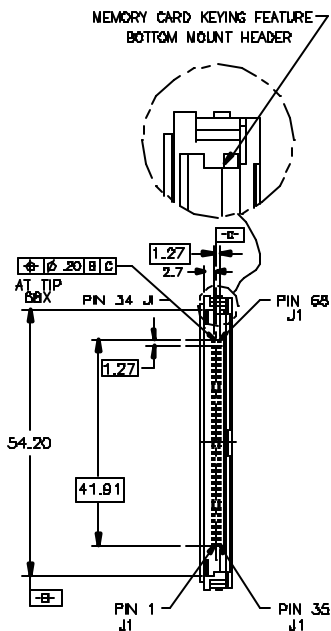
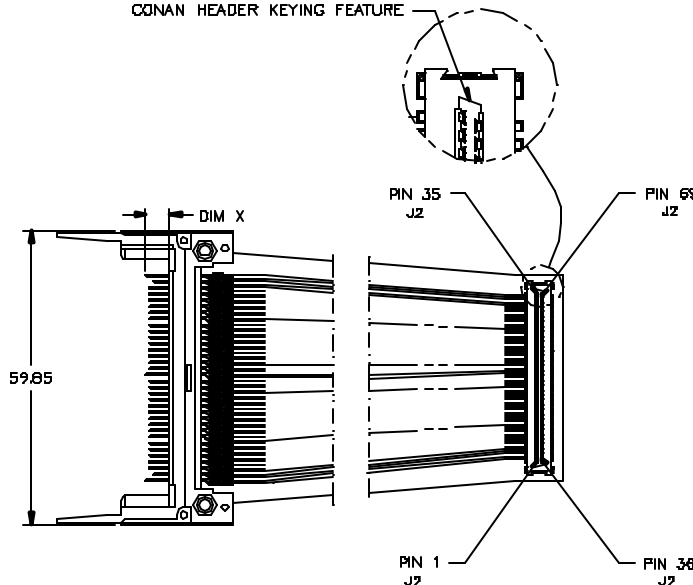


Tous droits strictement réservés. Reproduction ou communication à des tiers interdite sans quelque forme que ce soit sans autorisation écrite du propriétaire. Propriété de FCI. Droits de reproduction FCI.

All rights strictly reserved. Reproduction or issue to third parties in any form whatsoever is not permitted without written authority from the proprietor. Property of FCI. Copyright FCI.



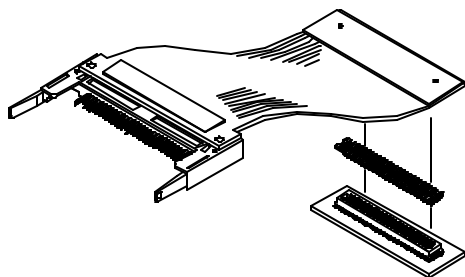
CONAN HEADER KEYING FEATURE



PIN NUMBER	DIM X PIN LENGTH
36,67	3.6±0.1
1,17,34 35,51,68	5.0±0.1
ALL OTHERS	4.25±0.1

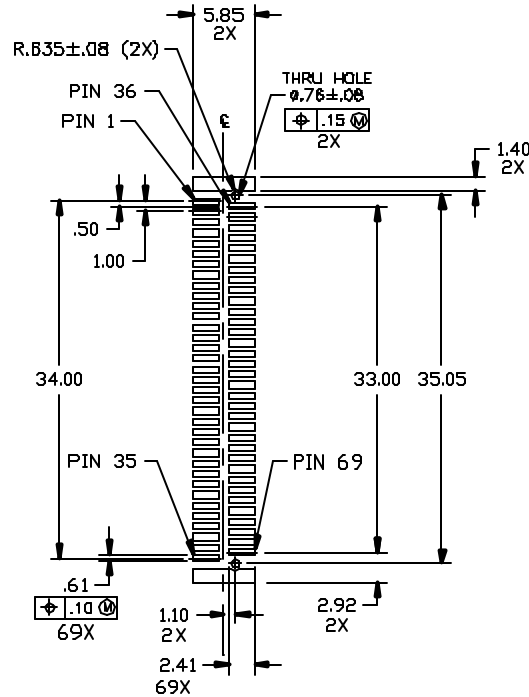
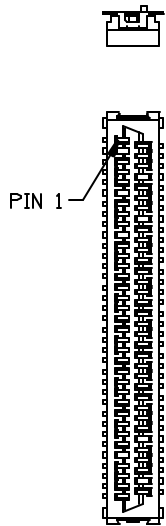
PIN ASSIGNMENTS

J-1	J-2	J-1	J-2
	1 NC		
1	2	36	38
2	3	36	37
3	4	37	38
4	5	38	39
5	6	39	40
6	7	40	41
7	8	41	42
8	9	42	43
9	10	43	44
10	11	44	45
11	12	45	46
12	13	46	47
13	14	47	48
14	15	48	49
15	16	49	50
16	17	50	51
17	18	51	52
18	19	52	53
19	20	53	54
20	21	54	55
21	22	55	56
22	23	56	57
23	24	57	58
24	25	58	58
25	26	59	60
26	27	60	61
27	28	61	62
28	29	62	63
29	30	63	64
30	31	64	65
31	32	65	66
32	33	66	67
33	34	67	68
34	35	68	68



mat'l. code		tolerances unless otherwise specified		CUSTOMER COPY		FCI Electronics www.fciconnect.com	
ltr	ecn no	dr	date	linear	.X±.3	projection	title
A	V40447	LP	2/24/94		.XX±.13		PCMCIA TO CONAN HEADER FLEX ASSEMBLY
B	V51070	FDM	9/13/95		.XXX±.051		
C	V71427	RHG	10/14/97	angles	0° ±Z		product family
D	V12164	TFG	8/17/01	dr	LPOTTEGER 2/24/94	MM	MCS
				enr	D.BRANN 2/24/94	←	code
				chr	D.BRANN 2/24/94	→	-
				appd	D.BRANN 2/24/94	scale	size
						1:1	dwg no
sheet	revision	D	D				94058
index	sheet	1	2				sheet
							1 of 2

PRODUCT NO.	FLEX LENGTH / MM
9405B-20520	41.5
9405B-20820	71.5



RECOMMENDED
CONAN RECEPTACLE
P/N 91930-21169

RECOMMENDED
PAD REQUIREMENT
FOR CONAN RECEPTACLE

NOTES:

- RECOMMENDED MATING CONNECTOR:
CONAN RECEPTACLE P/N 91930-21169
- PCMCIA HEADER:
MATERIAL: PLASTIC - LCP
PIN - PHOSPHOR BRONZE
SEE DRAWING 92140 FOR ADDITIONAL INFORMATION
PLATING: UNDERPLATING: 0.5 um Ni
CONTACT AREA: 0.1 um Au
OVER 0.5 um Pd-Ni
- CONAN HEADER:
MATERIAL: PLASTIC - LCP
PIN - PHOSPHOR BRONZE
SEE DRAWING 91900 FOR ADDITIONAL INFORMATION
PLATING: UNDERPLATING: 1.27 um Ni
CONTACT AREA: .38 um GXT

Tous droits strictement réservés. Reproduction ou communication à des tiers
 interdite sans quelque forme que ce soit sans autorisation écrite du propriétaire.
 Property of FCI. Droits de reproduction FCI.

All rights strictly reserved. Reproduction or issue to third parties in any
 form whatsoever is not permitted without written authority from the proprietor.
 Property of FCI. Copyright FCI.

mat'l. code		tolerances unless otherwise specified		CUSTOMER COPY	 www.fciconnect.com	
ltr	ecn no	dr	date	linear	projection	title
				.X±.3	 MM	PCMCIA TO CONAN HEADER FLEX ASSEMBLY
				.XX±.13		
				.XXX±.051	product family	code
				angles	MCS	-
				Ø ±Z	size	sheet
				dr	A4	2 of
				engr	94058	
				chr		
				appd		
sheet index	revision sheet					